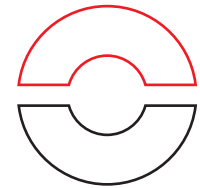


COMiNFOSEC[®]
SECURITY WITHOUT COMPROMISE

ART OF SECURITY

GUIDE TO CUSTOMIZED SOLUTIONS BY COMINFOSEC



CONTENT

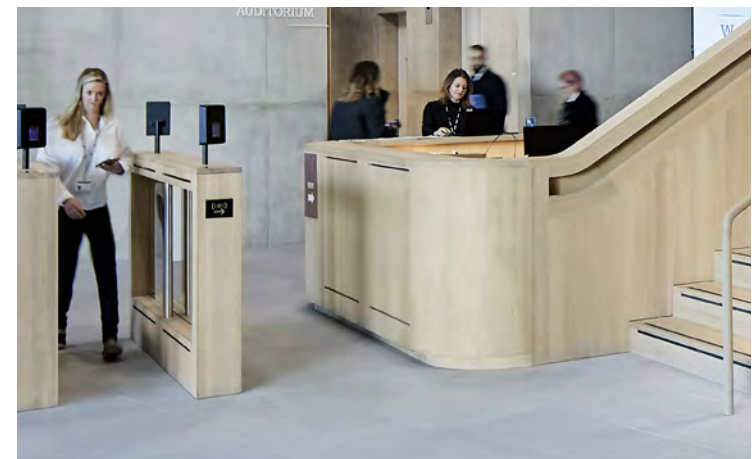
OVERVIEW	02 – 21
CUSTOMIZED DESIGN	22 – 55
STANDARD SURFACE FINISHES	28 – 33
SPECIAL METAL FINISHES & COATINGS	34 – 39
SPECIAL CLADDING	40 – 45
BRANDING	46 – 47
BESPOKE DESIGN	48 – 51
VISUAL GUIDANCE & LIGHTS	52 – 55
CONTACT INFORMATION	56 – 57



ART OF SECURITY

It is vital for us to create **trustworthy access** solutions that provide seamless and safe visitor passage. That offers a serene and pleasant visitor experience through captivating and user-friendly product design. And that guarantees that the property and assets will always be protected. For us, that is the Art of Security.





No matter the nature of the customer's requirements, we make every effort to understand what matters to him so that we can offer **customized solutions** that complement the environments they are protecting.



SECURED BY COMINFOSEC

We ensure that our products blend in **harmoniously** with the overall architectural picture of the entrance area and efficiently streamline the flow of people within a customer's property.

You can find COMINFOSEC solutions in these buildings.

- 01 THE FLOW BUILDING, PRAGUE CZ | Champan Taylor
- 02 NCC HEAD OFFICE, SOLNA SE | White Arkitekter
- 03 SKY PARK OFFICES, BRATISLAVA SK | Zaha Hadid Architects
- 04 CLERYS QUARTER, DUBLIN IE | Henry J Lyons Architects
- 05 PETRONAS TOWERS, KUALA LUMPUR MY | César Pelli
- 06 VARSO TOWER, WARSAW PL | Foster + Partners
- 07 EY CENTRE, SYDNEY AU | Francis-Jones Morehen Thorp
- 08 LONDON WALL PLACE, LONDON UK | Make Architects





02



03



05



06



07



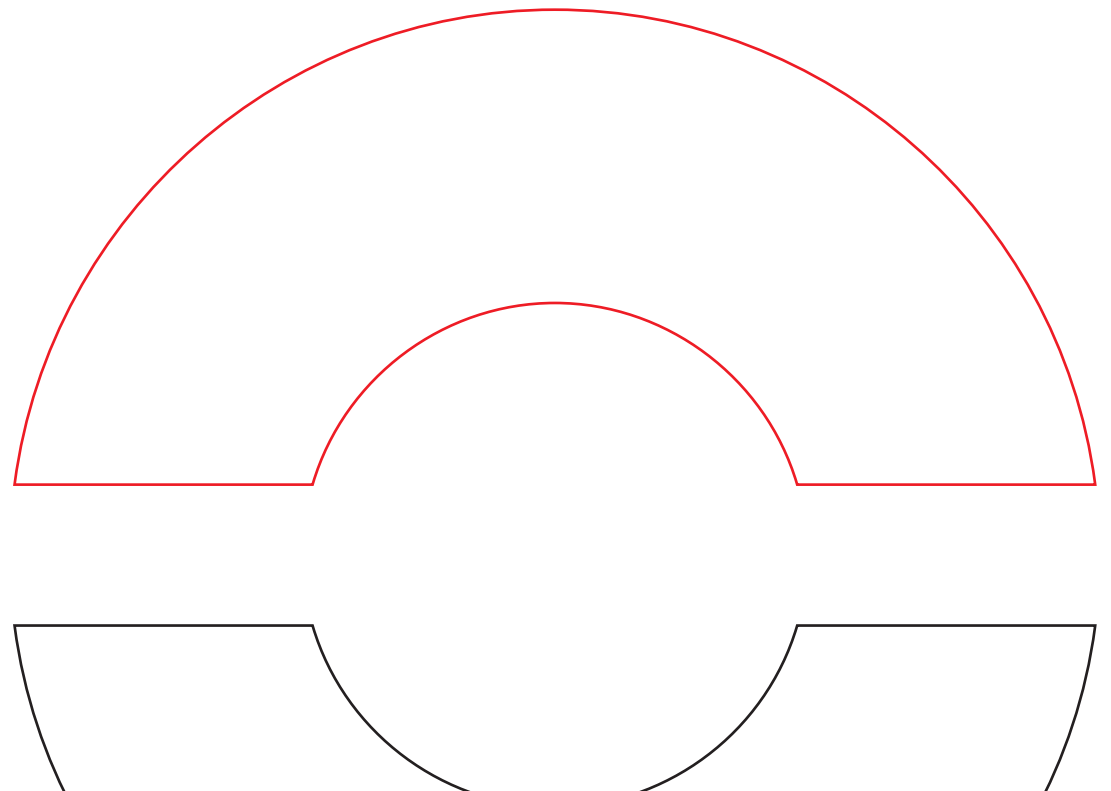
08



VARIETY IN PRODUCT DESIGN

Our product portfolio comprises **20 speed gate models** for secure and smart access to corporate offices, airports, government institutions, and bicycle parking, to name a few.

All the speed gates differ in terms of technical specifics, security level, application area, and, more importantly, product design. This variety enables us to offer a speed gate that **perfectly fits any installation.**



**ROUND & SQUARED
FRONT SHAPE**



EASYGATE SPD-G



EASYGATE SPD-R

**ULTRA-SLIM
& STANDARD WIDTH***

* Comparison among swing speed gates.



EASYGATE SUPERB | 99 mm



EASYGATE LC | 150 mm

VARIETY IN PRODUCT DESIGN

Apart from the possibility of choosing between speed gates with round & squared front shapes and ultra-slim & standard widths, the customer can opt for glass & stainless steel side panels, different cabinet footprints, and other options.

GLASS & FULL SIDE PANELS



EASYGATE SPD-R | glass panels



EASYGATE SPD-R | stainless steel panels

DIFFERENT
FOOTPRINTS

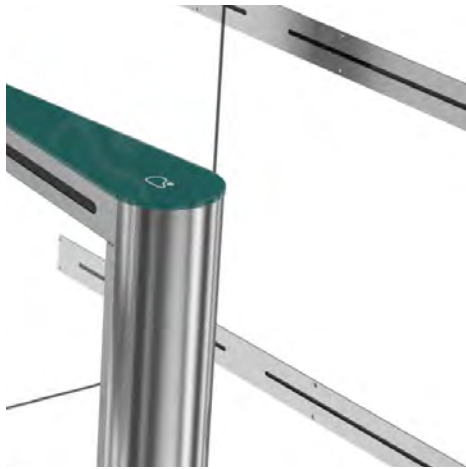


EASYGATE SG | 1000 mm length x 120 mm width



EASYGATE SUPERB | 1580 mm length x 99 mm width

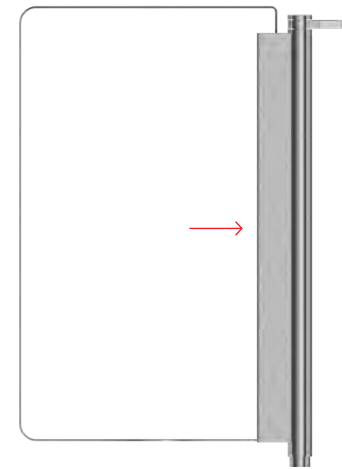
OTHER
OPTIONS



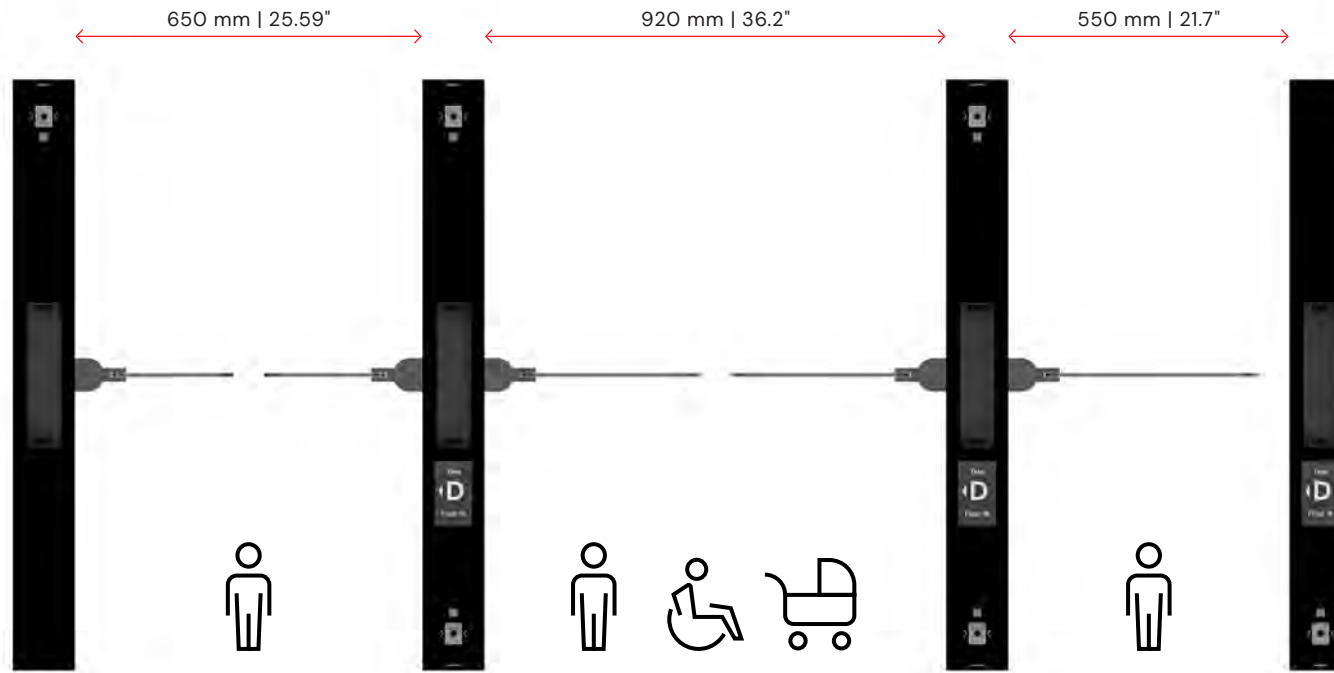
WALL SENSORS



FIXED GLASS BARRIERS



HINGE CAPPING



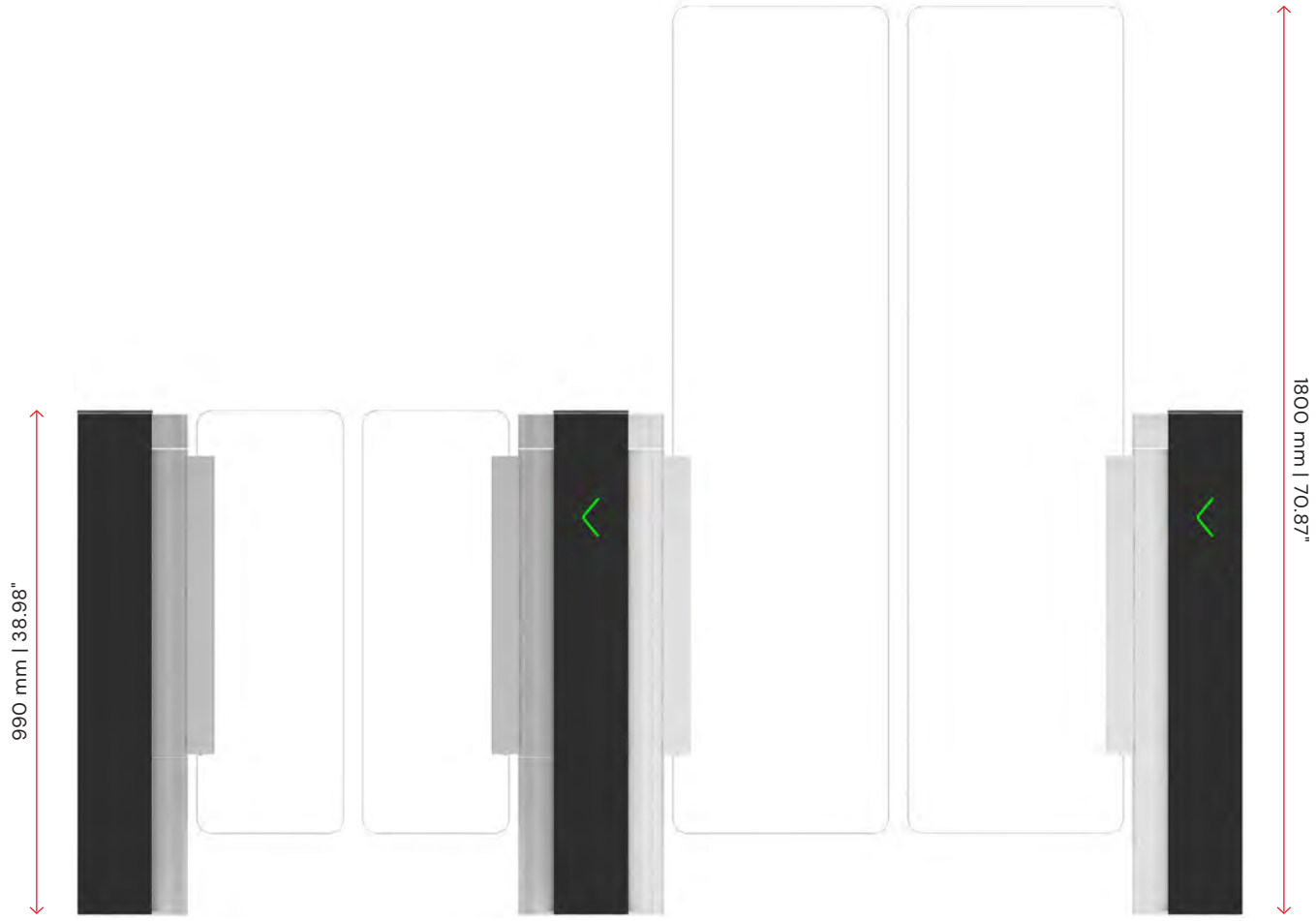
VARIABLE PASSAGE WIDTH AND HEIGHT

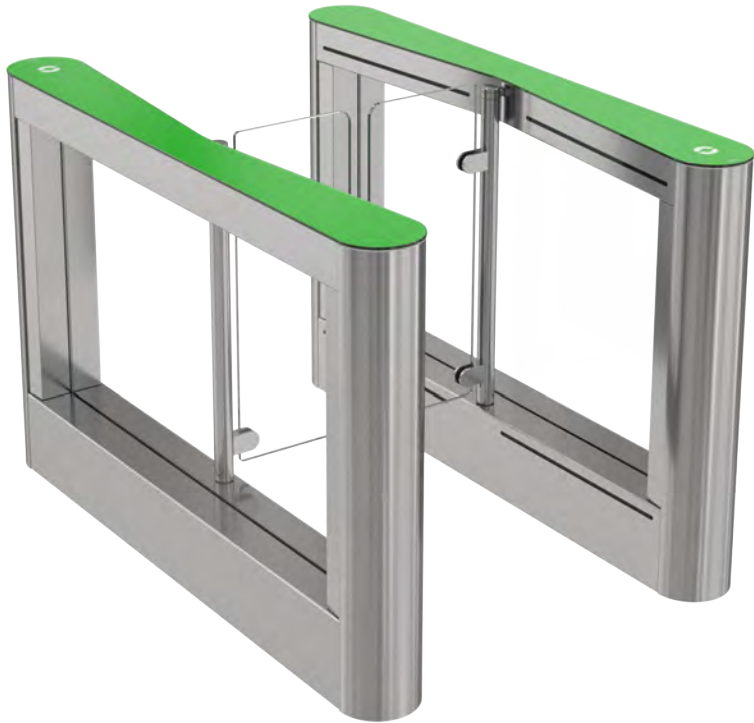
We are making no compromises when it comes to safety, security, and user-friendliness. COMINFO speed gates are available with extended **barrier-free** passages for wheelchair users, the transport of material, and any other requirements. In selected models, even an Extra wide passage of 1500 mm is available. Moreover, **one wing** or **two wings** passage is also possible.

For a greater level of security, optional glass barriers with an upper edge height of 1800 mm* and even 2200 mm* are available.

* This may vary according to the selected speed gate model.

** The renderings depict a model installation of EasyGate LC.





SUSTAINABLE OPERATION

One of our long-term corporate goals is to **minimize** the environmental footprint of our operations.

COMINFO products have a significantly **lower electricity consumption** than is standard on the market. Furthermore, we cooperate mainly with **local suppliers** and reduce consumption on the company premises in a targeted manner.



ELECTRICITY CONSUMPTION

Our speed gates feature the lowest power consumption in a standby mode in the market, specifically 6.1 W in selected models.



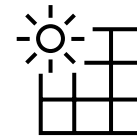
WASTE MANAGEMENT

By adapting the manufacturing processes and product design of our speed gates, up to 99 % of the materials used are recyclable.



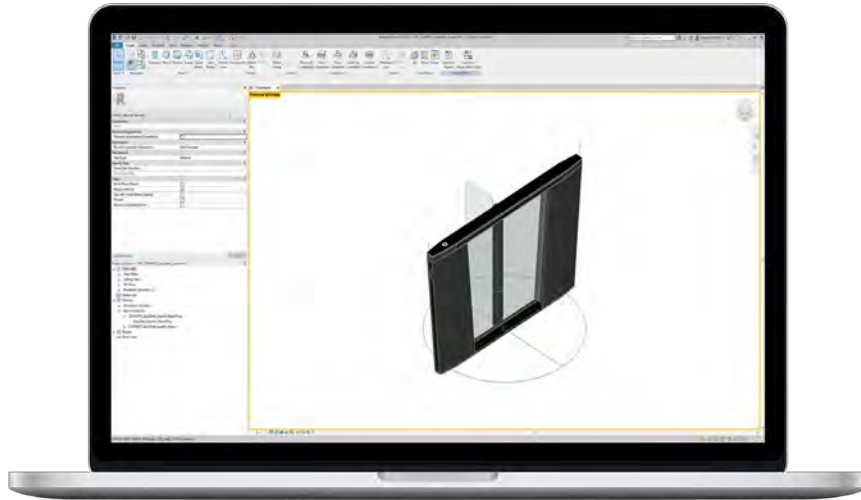
SUPPLY CHAIN REGIONALISATION

We cooperate mainly with local suppliers. Almost 85 % of them come from the Czech Republic. Of our ten largest suppliers, eight are domestic.



UTILIZING RENEWABLE RESOURCES

Our production plant will be shortly equipped with solar panels generating a significant percentage of our electricity consumption.



BIM | BUILDING INFORMATION MODELING

BIM, or Building Information Modeling, is a complex design and construction process that utilizes software and a collaborative design process to make the procedure of developing buildings more **efficient**.

Using BIM objects provides construction, design, and architecture professionals with **better decision-making, reduced workload,** and **cost savings** on their projects.

The BIM objects in the Revit file type (Autodesk Revit) for the COMINFO products are available via our company websites.

www.cominfo.eu

VISUALIZE YOUR PROJECT WITH AUGMENTED REALITY

Our Augmented Reality (AR) application, the **turnstileART** app, allows users to easily create professional 3D renderings of COMINFO speed gates in a real environment or on a white background.

You can instantly see and compare different speed gate models, **simplifying your project** preparation and making it easier to decide which model to choose. The Snapshot function allows you to share designs with colleagues or clients.

The app is available via Google Play and App Store.



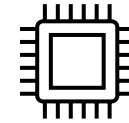


FACILITATING THE SMART BUILDING OPERATIONS

Contemporary buildings are serviced by a wide range of subsystems, including general security and one of its components, entrance security all of which facilitate the building operations.

The smart building concept builds on the **interconnectability** of the building's components and facilitates its operations through energy efficiency, increased responsiveness, automatization, and other characteristics.

The COMINFO products leverage their **advanced electronics** and **software solutions** to be seamlessly integrated into the advanced system of operations in smart buildings.



ADVANCED ELECTRONICS

In-house-built electronics enable the swift process of large-capacity information. It allows advanced performance monitoring, reporting, alerting, and diagnostics.



OPEN SOFTWARE ARCHITECTURE

COMINFO communication interface allows for seamless integration into existing building systems, i.e., visitor management software and lift control system – supporting overall building management.

SAFETY & SECURITY

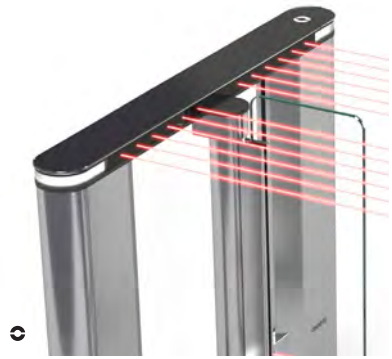
Drawing on a strong innovation culture, we continuously develop new safety & security technologies to make employees or guests of the customer feel safe and the company's property secure.

MAGNETIC DIRECT DRIVE UNIT (MDD)

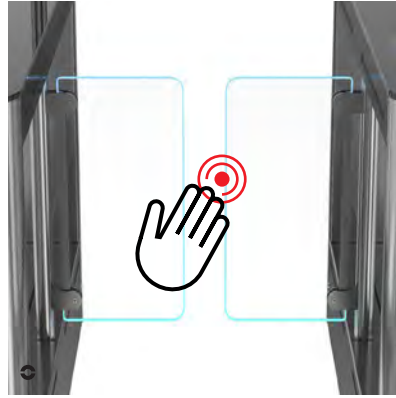
The MDD is an innovative maintenance-free motor with an exceptionally long lifetime specifically designed for access control applications.

It is quiet, energy-efficient, and features 20 million mean cycles before a failure.

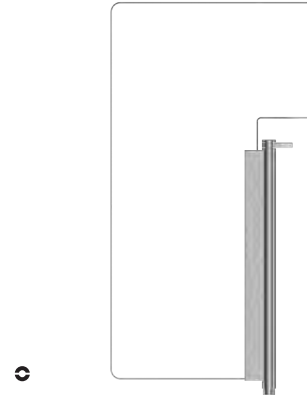




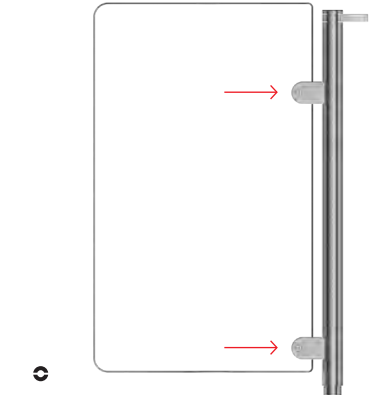
S-BEAM TECHNOLOGY



PUSHTROUGH



FLAG WING



HEAVY-DUTY WING



PRESSURE SENSOR



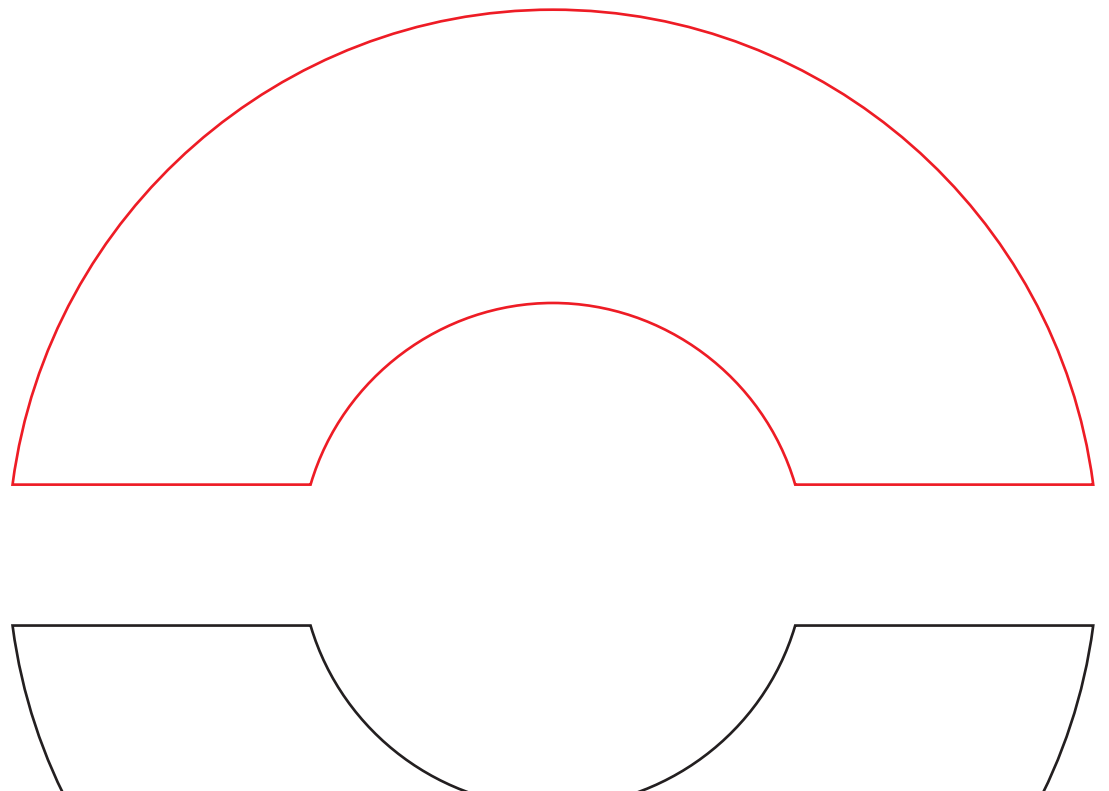
BREAK GLASS UNIT

- ◻ COMINFO TECHNOLOGY
- 3rd PARTY TECHNOLOGY



TECHNOLOGY INTEGRATION

Our portfolio features an option to ingeniously integrate a number of in-house and 3rd party technologies into standard-sized cabinets, alternatively through an external bracket in the chassis of selected models.



IDENTIFICATION



RFID READER



QR SCANNER



FINGERPRINT READER



FACIAL RECOGNITION

OTHER



VISITOR CARD COLLECTOR



LIFTCALL DISPLAY



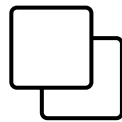
3rd PARTY DEVICE

- ◻ COMINFO TECHNOLOGY
- 3rd PARTY TECHNOLOGY

CUSTOMIZED DESIGN

Whether it is a simple color match, a special finish, material, or a truly bespoke design, we can provide the perfect solution to suit your project.





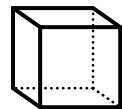
**STANDARD SURFACE
FINISHES**

28–33



**SPECIAL METAL
FINISHES & COATINGS**

34–39



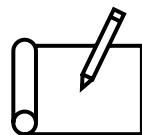
SPECIAL CLADDING

40–45



BRANDING

46–47



BESPOKE DESIGN

48–51



**VISITOR
GUIDANCE & LIGHTS**

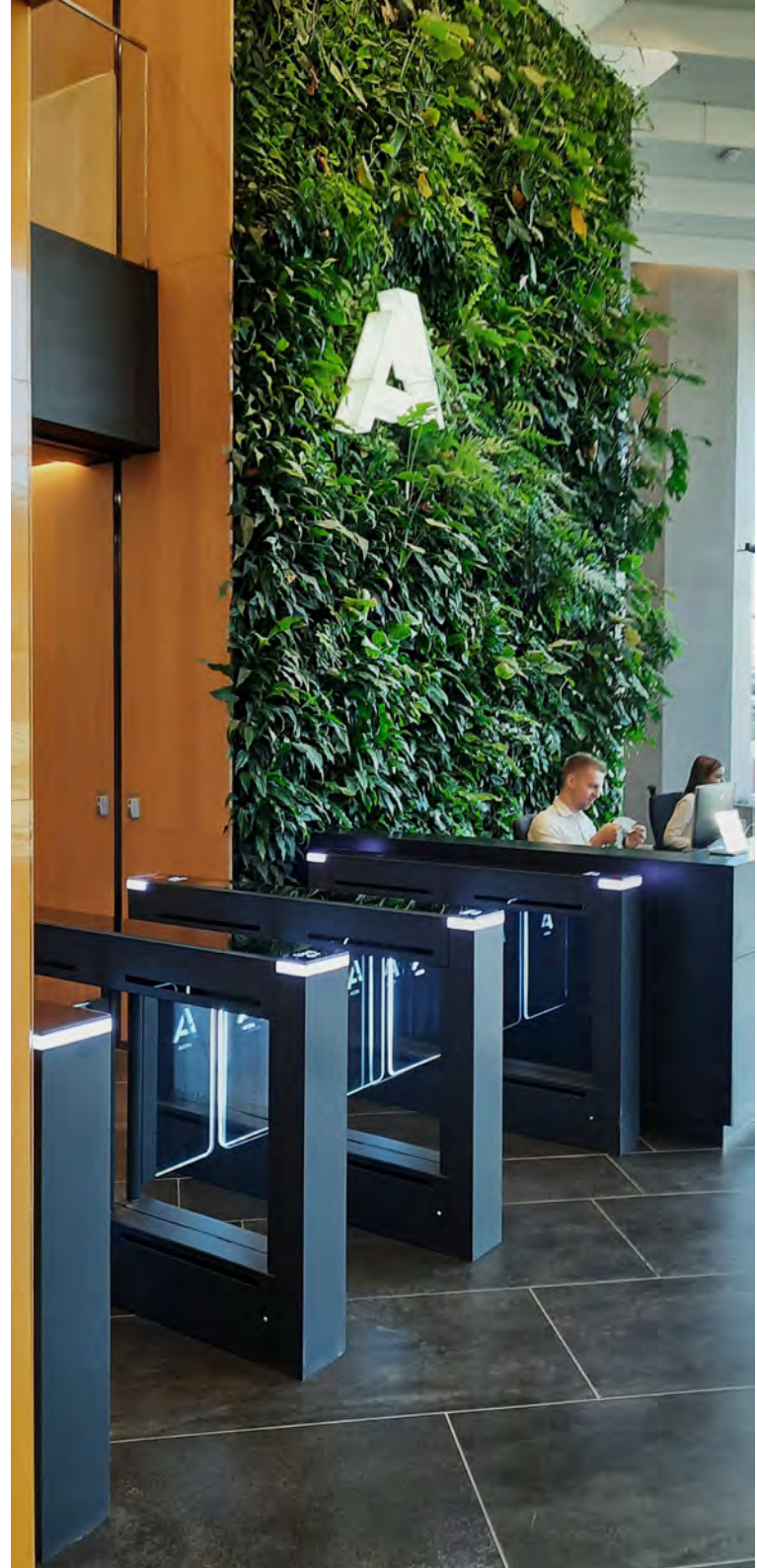
52–55



AGORA TOWER REFERENCE CUSTOMIZED EASYGATE SPD

Cooperation with several stakeholders on the customer's side resulted in speed gates with a **unique design** and a **wide range of identification options**.

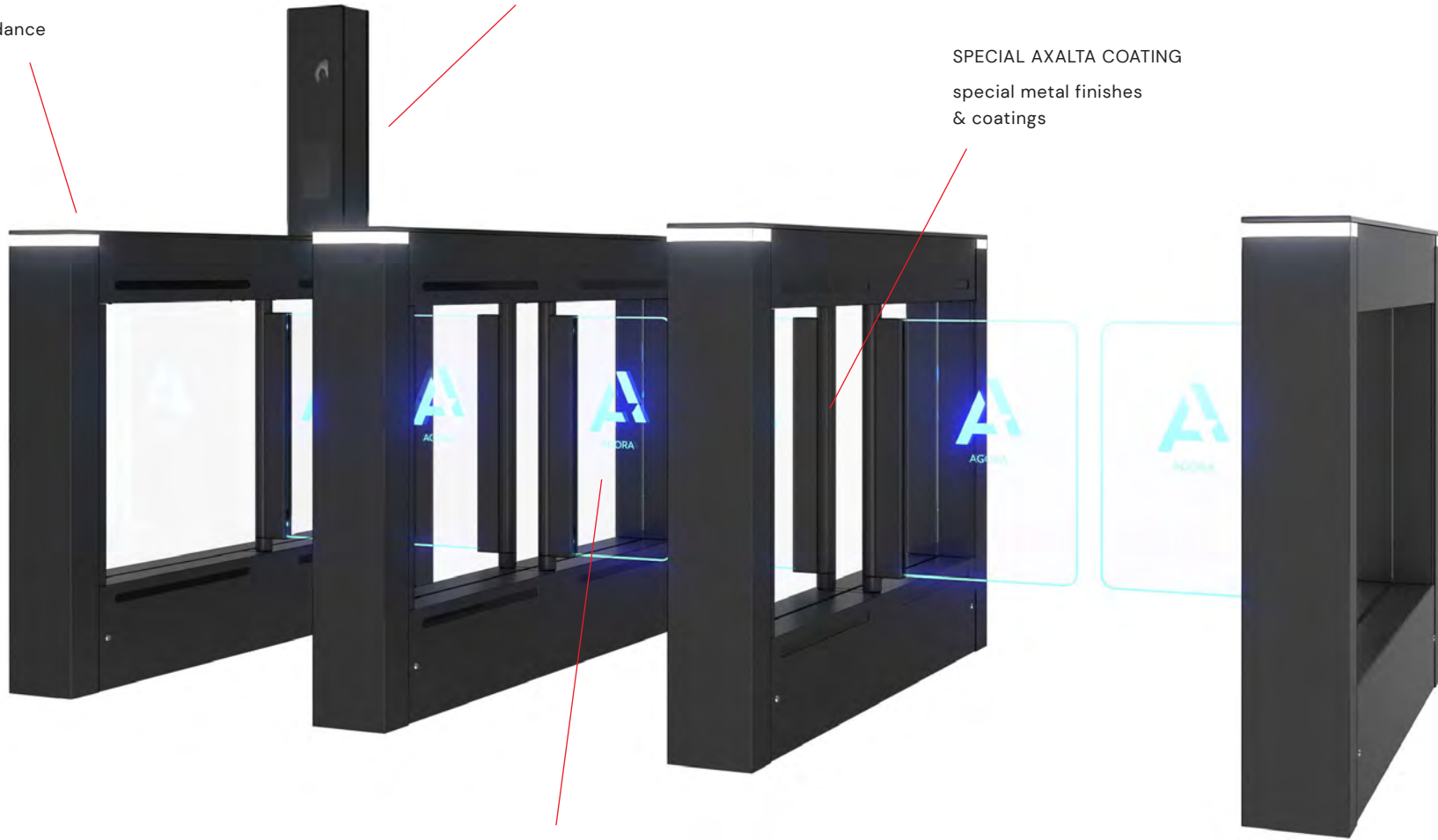
The project materialized several aspects of COMINFO's customized design.



EDGE LIGHT
visitor guidance
& lights

POST WITH BIOMETRIC CAMERA
technology integration

SPECIAL AXALTA COATING
special metal finishes
& coatings



WING LIGHT | COMPANY LOGO
visitor guidance
& lights, branding



AGORA TOWER REFERENCE

FULL CUSTOMIZATION

The speed gate covers were painted with **Axalta special coating** at the designer's request. This blends well with the black glass top panel and the contrasting white lighting on the top edge of the speed gate.

The wings of the speed gates were also illuminated, on which we engraved the Agora logo. Visitor navigation is further facilitated by the **Access light** and a **backlit arrow** pointing to the speed gate lane that visitors or employees should use.

Speed gate lanes are equipped with RFID and QR code readers and an **integrated lift call system** from Kone. Selected speed gate lanes were mounted with a post with a camera for **biometric identification**.

Based on the client's request, we've made construction changes in the cabinet frames, so they are prepared for a possible extension of biometric identification.

PROJECT

ARCHITECTURAL STUDIO

PLACE OF INSTALLATION

SPEED GATE MODEL

CUSTOMIZATION

Agora Tower

Make Architects

BUDAPEST HU

EASYGATE SPD

Special black gray matt coating by Axalta

Integration of Kone lift control system

Agora Tower logo on glass wings

Integration of a post with a biometric camera

Edge lights, Access lights and Wing lights



CUSTOMIZED DESIGN



STANDARD SURFACE FINISHES

Our speed gates come in a brushed stainless steel finish as standard. If you want a speed gate in a different color, we can offer powder coating in any color from the RAL color chart.

With the option to choose the color, you can nicely match the speed gates with the rest of the entrance lobby or reception. We will be happy to deliver them in your company colors.



BRUSHED STAINLESS STEEL

EASYGATE SPT | Tasmanian Government, HOBART AU



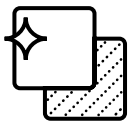
POWDER COATING | RAL COLOR CHART

EASYGATE SG | The Lincoln, MANCHESTER UK

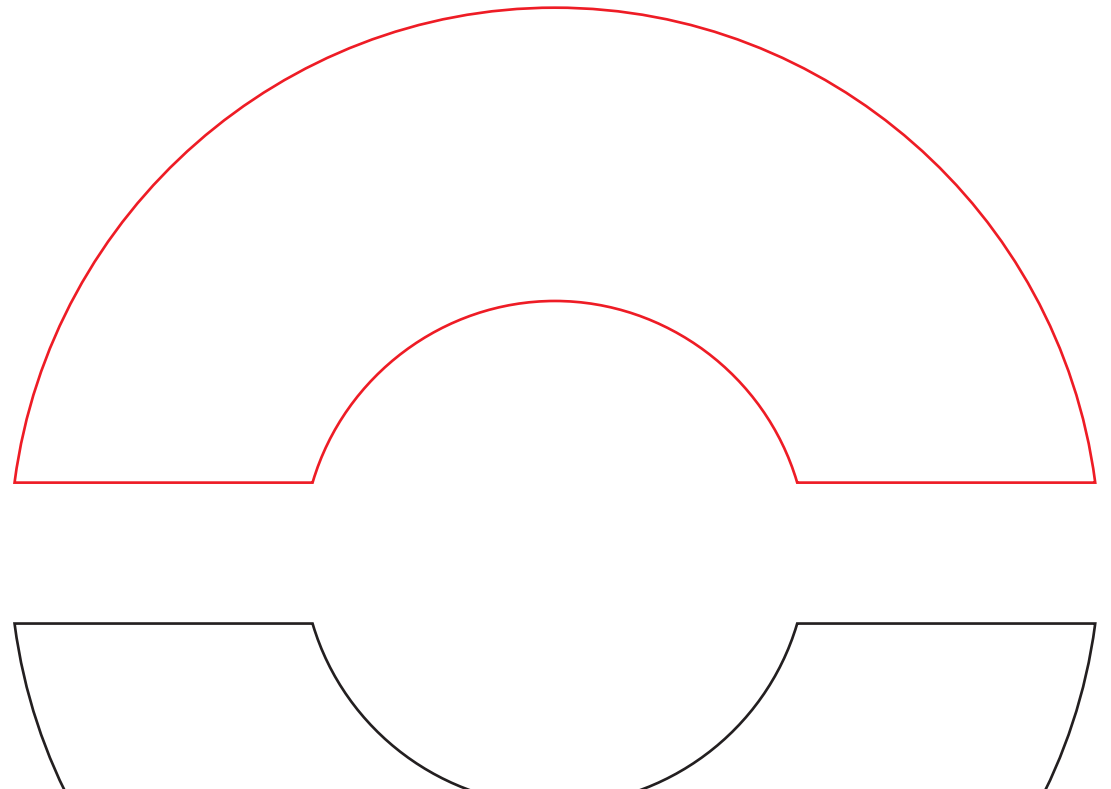
POWDER COATING RAL COLOR CHART

We have taken maximum care to work with suppliers providing the highest quality powder coating, such as Dulux and Tiger.

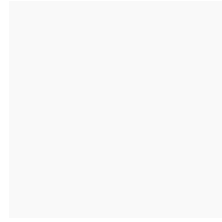
You can choose from the standard range from the RAL color chart consisting of 6 colors or the premium range encompassing all the remaining RAL colors.



There is also the option to choose Special coating finishes that enable speed gates to stylishly blend in with the interior environment and live up to the architect's vision.



**STANDARD
RANGE**



WHITE MATT



BLACK MATT



ANTHRACITE



ALUMINIUM

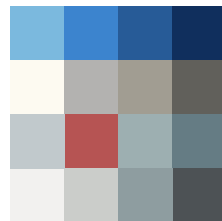


BRONZE



CAFÉ CRÈME

**PREMIUM
RANGE**



Except for the Standard range selection, any color from the RAL chart can be chosen.



MODULARITY IN THE COATING

The speed gate product design enables the customer to apply the selected coatings to different construction parts of the cabinet*.

This modularity allows companies to **accent their corporate colors** and elevates the entrance area design as a whole.

* Coating options in terms of different construction parts vary depending on the model



COVERS COATING



FRAME COATING



CUSTOMIZATION EXAMPLE



01



02



03

You can find standard surface finish examples of COMINFO speed gates in these projects from renowned architectural studios.

- 01 BRUSHED STAINLESS STEEL, Aegean Business Lounge, ATHENS GR | Zege Architects
- 02 BRUSHED STAINLESS STEEL, Sky Park Offices, BRATISLAVA SK | Zaha Hadid Architects
- 03 BLACK MATT COATING, The Lincoln, MANCHESTER UK | 5plus Architects
- 04 WHITE MATT COATING, Five Building, PRAGUE CZ | Qarta Architectura



04





SPECIAL METAL FINISHES
EASYGATE SR | National Theatre, PRAGUE CZ



POLISHED STAINLESS STEEL
EASYGATE SPD | 1 Wiliam Street, BRISBANE AU



SPECIAL COATINGS
EASYGATE SPT | 32 Smith, SYDNEY AU

SPECIAL METAL FINISHES & COATINGS

Special treatment of the stainless steel surface, alternative metal finishes, and special coatings are available upon request.

Speed gates can be plated with patinated brass and steel, copper bronze, or, alternatively, black stainless steel. **The choice of metal finish is nearly unlimited.**

We can also apply special coating outside the standard RAL range by working with world-renowned paint suppliers.



SPECIAL METAL FINISHES

You can find special metal finish customization examples of COMINFO speed gates in these projects from renowned architectural studios.

We work with leading suppliers of **high-quality metal finishes** like Evans Turner, INNOMetal, Rimex Metals, and Bradleys Metal Finishers.

- 01 PATINATED BRASS COVERS, The Flow Building, PRAGUE CZ | Champan Taylor
- 02 ELECTROPLATED STAINLESS STEEL, National Theatre, PRAGUE CZ | Josef Zrtek
- 03 COPPER BRONZE COVERS, 2 London Wall Palace, LONDON UK | Make Architects
- 04 POLISHED STAINLESS STEEL COVERS, 1 William Street, BRISBANE AU | Woods Bagot

SPECIAL COATINGS

You can find special coatings customization examples of COMINFO speed gates in these projects from renowned architectural studios.

We work with our clients to find distinctive coatings that **seamlessly blend with the surrounding environment**, and we source them from the best in the field, companies such as Axalta and Sherwin Williams.

- 01 HERITAGE BRONZE POWDER COATING, India Building, LIVERPOOL UK
Falconer Chester Hall Architects
- 02 BLACK GRAY MATT POWDER COATING BY AXALTA, Agora Tower, BUDAPEST HU
Make Architects
- 03 ELECTRO DARK BRONZE FLAT POWDER COATING BY DULUX, 32 Smith, SYDNEY AU
Fender Katsalidis Architects
- 04 GRAY MATT POWDER COATING, Sergel Plaza redevelopment, STOCKHOLM SE





THE FLOW BUILDING REFERENCE

PATINATED BRASS

Patinated brass and steel were selected as the materials for the speed gate cabinets based on the investor's and architects' requirements.

The patinated brass-steel combination creates a **pleasant contrast of colors**, while the speed gates resonate well with the surrounding space.

The patina used on these two materials is only recognizable when viewed up close, and this effect alone is both a **captivating** and **astonishing sight** to behold.

We also came up with a solution for the increasingly popular requirement of installing a system that **automatically calls lifts**. Additionally, the front panels of the speed gates were equipped with **Lane lights display** featuring an **arrow** that will direct people through.

PROJECT

ARCHITECTURAL STUDIO

PLACE OF INSTALLATION

SPEED GATE MODEL

CUSTOMIZATION

The Flow Building

Champan Taylor

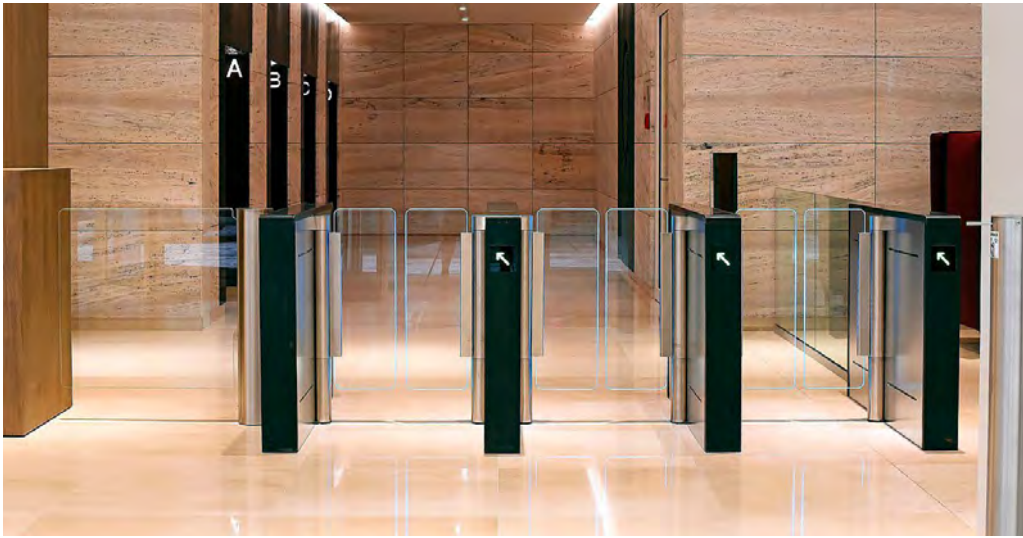
PRAGUE CZ

EASYGATE LC

Special patinated brass and steel cabinets

Integration of Schindler lift control system

Lane lights, Access lights and Wing lights



CUSTOMIZED DESIGN



EY Building a better working world

Levels 16-25

Levels 26-35



CORIAN
EASYGATE IM | ReShape Fitness, ZABRZE PL



NATURAL STONE
EASYGATE IM | EY Centre, SYDNEY AU



WOOD
EASYGATE SPD | AstraZeneca Discovery Centre,
CAMBRIDGE UK

SPECIAL CLADDING

Our speed gates can be clad in Corian, natural stone, and wood.

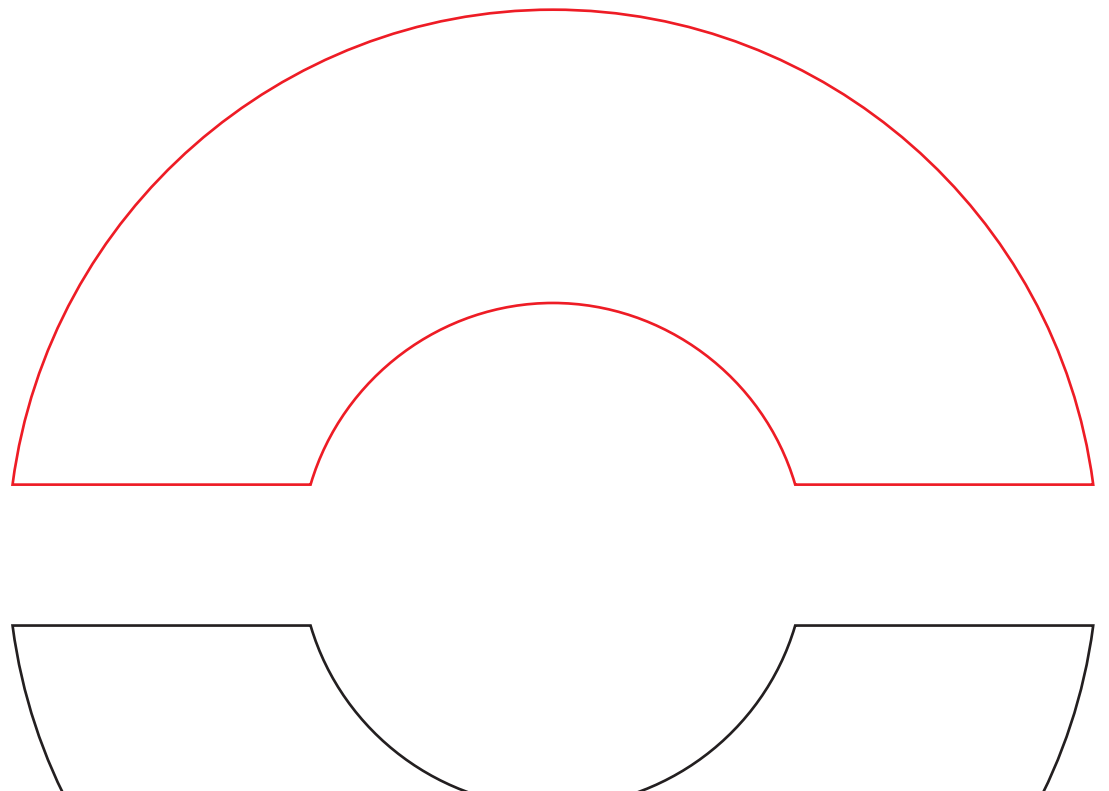
Corian is solid and highly durable; it is **warm** and **pleasant to touch**. There are no visible joints on the surface.

The stone cladding is different in structure, grain, and surface finish. Thanks to that, it creates an **extraordinary visual effect**.

Wood offers a wide range of color shades and reliefs. Wood cladding gives the speed gates a noble look and makes the space **cozier** and **optically warmer**.

SPECIAL CLADDING

You can find special cladding customization examples of COMINFO speed gates in these projects from renowned architectural studios.

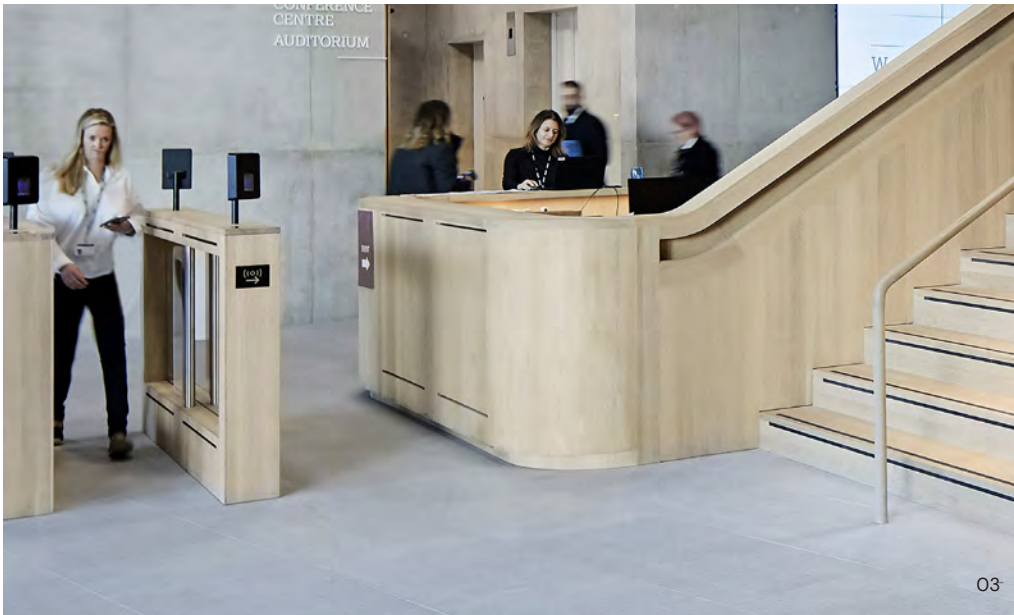




01



02



03



04

- 01 CORIAN CLADDING, ReShape Fitness, ZABRZE PL | Baar Studio
- 02 NATURAL STONE CLADDING, Messeturm, FRANKFURT DE | Helmut Jahn Architects
- 03 WOODEN CLADDING, AstraZeneca Discovery Centre, CAMBRIDGE UK | Herzog & de Meuron
- 04 CHARCOAL STONE CLADDING, 1 Denison, SYDNEY AU | Bates Smart Architects



EY CENTRE REFERENCE

STONE CLADDING

The reception and public space at the front of the building are decorated with a large-scale work of art **carved into sandstone**, while the floors and panelling of the reception are also made of stone.

The architects, therefore, strived to ensure that the speed gates at the entrance also featured stone cladding.

The architects were also tasked with designing the upper sections of the speed gates, which were to be made of several narrower strips of stone, so that they would also **correspond in shape** to the lining of the adjoining counters.

Together, the reception and speed gates form a single **artistic element** in the entire space, reminiscent of a group of stone statues.

PROJECT

ARCHITECTURAL STUDIO

PLACE OF INSTALLATION

SPEED GATE MODEL

CUSTOMIZATION

EY Centre

Francis-Jones Morehen Thorp

SYDNEY AU

EASYGATE IM

Natural Stone Cladding

Integration of Schindler lift control system

Access lights







PERSONALIZED ACCESS LIGHT ICON
EASYGATE SPT | Vodafone, SYDNEY AU



COMPANY LOGO ON GLASS WING
EASYGATE SPD | Agora Tower, BUDAPEST HU



PERSONALIZED TOP LID COLOR
EASYGATE SPT | Flyefit, DUBLIN IE

BRANDING

Our speed gates can be customized to perfectly meet the brand's identity – the top lid can be coated in any color and branded according to corporate guidelines.

You can even sandblast your logo on the wings and use it as a symbol where the contactless card is to be placed by your employees and customers.

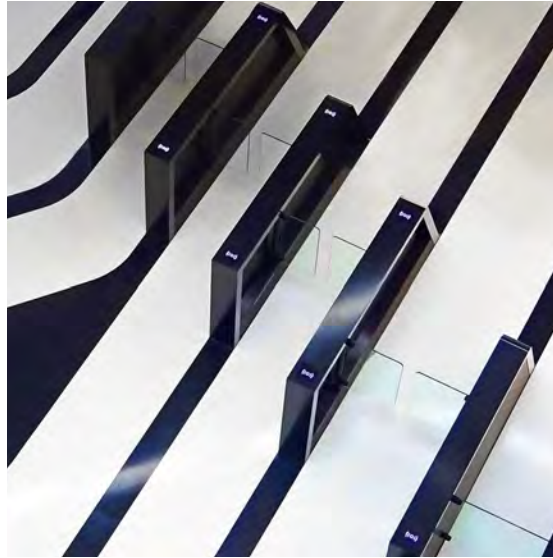


55 COLMORE
ROW



BESPOKE CABINET CUSTOMIZATION

EASYGATE BV | 55 Colmore Row, BIRMINGHAM UK



STAGGERED LAYOUT

EASYGATE SPD | Dominion Tower, MOSCOW RU



ARC LAYOUT

EASYGATE SUPERB | Deutsche Bahn Project,
BERLIN DE

BESPOKE DESIGN

We can adapt the speed gates **to any space**, so they fit elegantly into it and do not interfere with its architectural value. For example, the product design of the speed gate cabinets can be optionally **modified** to blend in seamlessly with the overall design of the reception area.

Moreover, we can install them in the way they form an arc, i.e., the layout of speed gate lanes is set up in a curved line. Also, speed gates can be installed in a staggered, in other words, diagonal layout.



DOMINION TOWER REFERENCE STAGGERED LAYOUT

The individual floors of the building, designed in a **neo-futurist style**, are essentially vertically stacked slabs connected by a series of staircases.

It was necessary to design something that was **simple yet imaginative**, and that would blend in with the surroundings and punctuate the overall artistic expression of the space.

The architects proposed tilting the speed gates, which they then placed on black lines on the floor. Thanks to the fact that the lines and the speed gates are both the same color and width, they appear to merge into one when viewed from above.

PROJECT

ARCHITECTURAL STUDIO

PLACE OF INSTALLATION

SPEED GATE MODEL

CUSTOMIZATION

Dominion Tower

Zaha Hadid Architects

MOSCOW RU

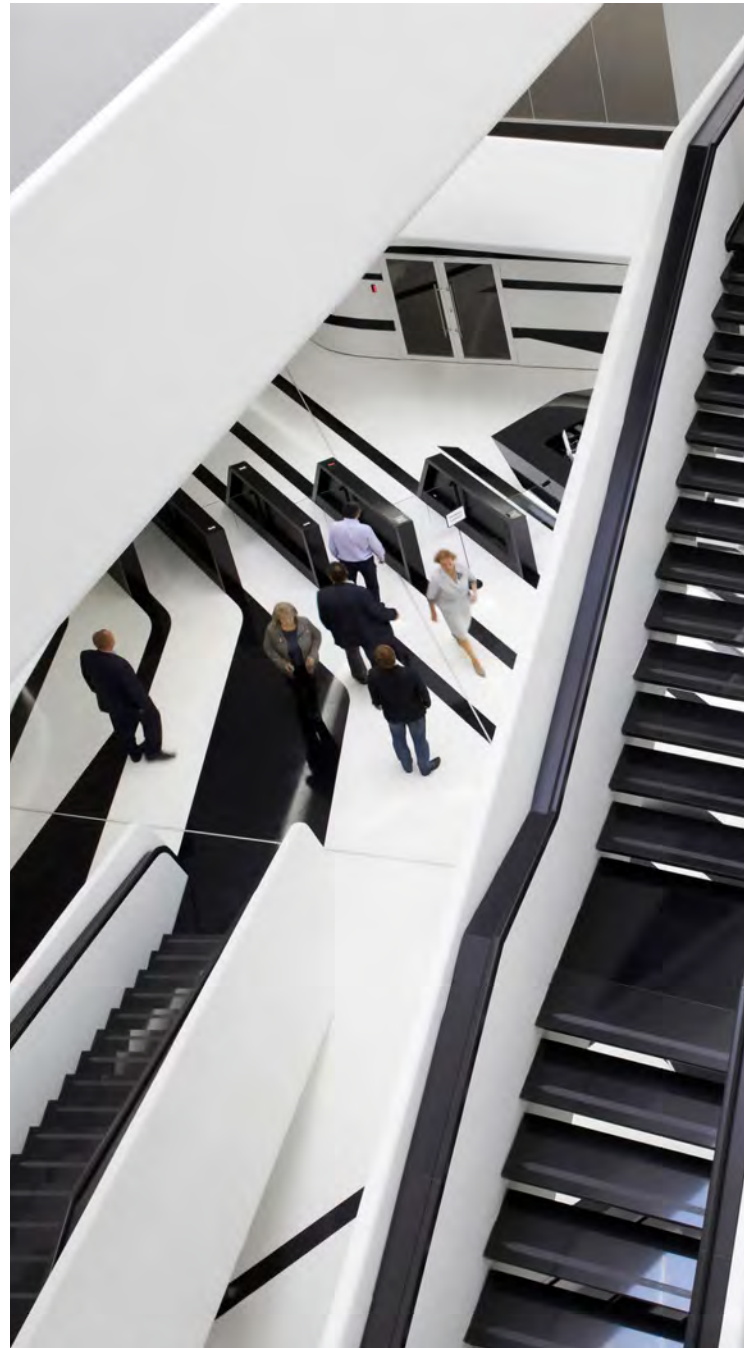
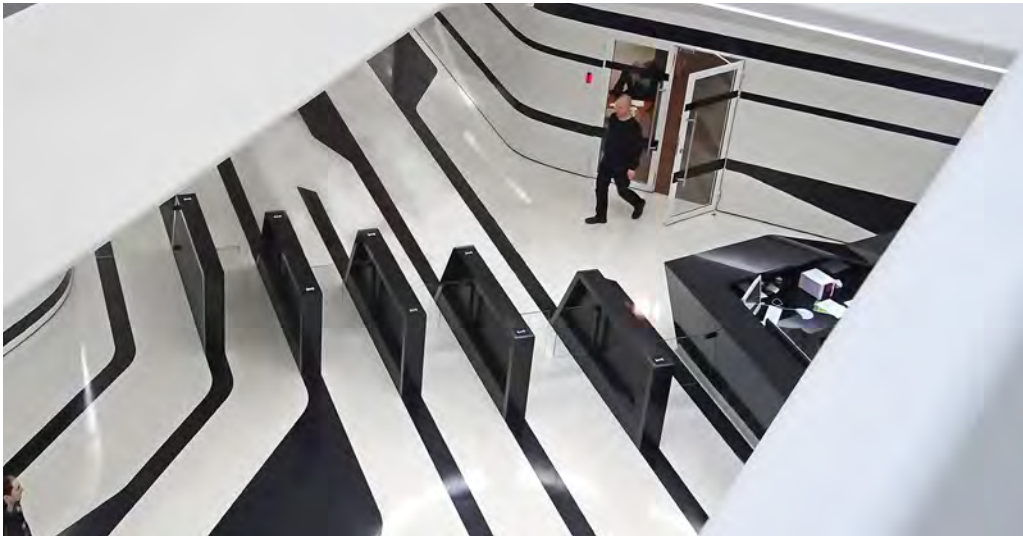
EASYGATE SPT

Staggered layout

Customized cabinet shape

Black stainless steel finish by Rimex

Access lights





mirvac



ACCESS LIGHT

EASYGATE SUPERB | Parkview, PRAGUE CZ



WING LIGHT

EASYGATE SPT | 80 Ann Street, BRISBANE AU



LANE LIGHT

EASYGATE SG | Prague Conservatory, PRAGUE CZ

VISUAL GUIDANCE & LIGHTS

Navigation lights help visitors or staff **walk through** the speed gates. LED arrows on the front of the speed gates guide visitors to the **right passage**.

Illumination of the wings, top panel, and other guidance technologies facilitate **orientation while passing through** the speed gate.

The individual light elements can also indicate the **speed gate status** and visually inform, for example, about emergencies. Therefore, performing an essential **safety function**.



PASSAGE LIGHT

EASYGATE SUPERB | T-Mobile HQ, PRAGUE CZ



EDGE LIGHT

EASYGATE ELITE | Five Building, PRAGUE CZ



SOUND SIGNALIZATION

EASYGATE IM | Messeturm, FRANKFURT DE

The speed gate illumination plays a vital role in setting the tone and mood of the entrance, **brightening the space** aesthetically, and is also used to brand the area.

Instead of the default white lightning, the speed gate illumination may come in **company colors**. Everything can be easily adjusted to suit the customer's request.

Sound signalization brings more **safety to blind** and **visually impaired people**.



01



02



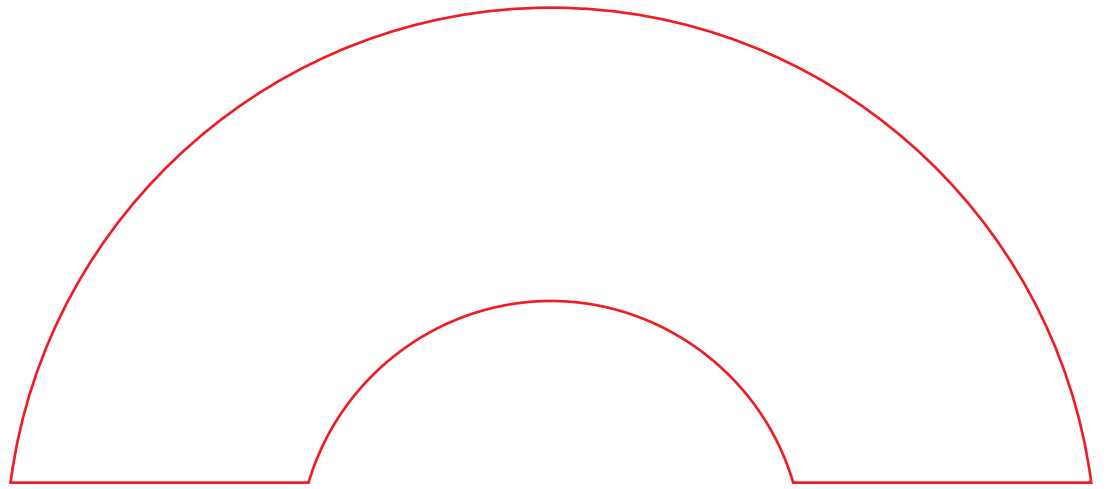
03

You can find visual guidance & light speed gate integration examples in these installations from renowned architectural and design studios.

- 01 LANE LIGHT & ACCESS LIGHT, Two New Bailey Square, MANCHESTER UK | Allford Hall Monaghan Morris
- 02 LANE LIGHT, PASSAGE LIGHT & ACCESS LIGHT, Boston Scientific, WATERFORD IE | Unispace
- 03 ACCESS LIGHT & WING LIGHT, 80 Ann Street, BRISBANE AU | Woods Bagot
- 04 EDGE LIGHT, WING LIGHT & ACCESS LIGHT, Agora Tower, BUDAPEST HU | Make Architects



04



CONTACT INFORMATION

COMINFOSEC 11 W.
College Drive Suite L
Arlington Heights, IL
60004 United States

(847) 847 - 1100
info@cominfosec.com
www.cominfosec.com

COMiNFOSEC

© 2023