



# BAR α BAR ONE

Tripod turnstiles



## **BAR TRIPOD TURNSTILES**

Our product line of waist-height tripod turnstiles is suitable for a wide variety of indoor and outdoor applications. With high quality construction and reliability, long term cost effective operation is assured. A wide range of designs enables to provide an ideal model to suit any interior and exterior. BAR tripod turnstiles represent a classic and safe way to protect your premises.

BAR turnstiles are equipped by motor driven unit with silent and smooth operation that is automatically adapted to the passing speed of users.





## **BAR ONE TURNSTILES**

Our new product line of BAR ONE is a unique waistheight turnstile range with space-saving, compact and modern design utilizing patented Magnetic Direct Drive motor - MDD. Compared to the conventional tripod technology, BAR ONE turnstiles have a higher throughput. These products can be extended with a broad variety of optional accessories. MDD does not utilize a standard mechanical gearbox but provides exceptional reliability and maintenancefree operation and inherent resistance to the effects of dust and humidity.

BAR ONE was designed with respects to features, aesthetics and reliability while cost of ownership has been lowered without making compromises.

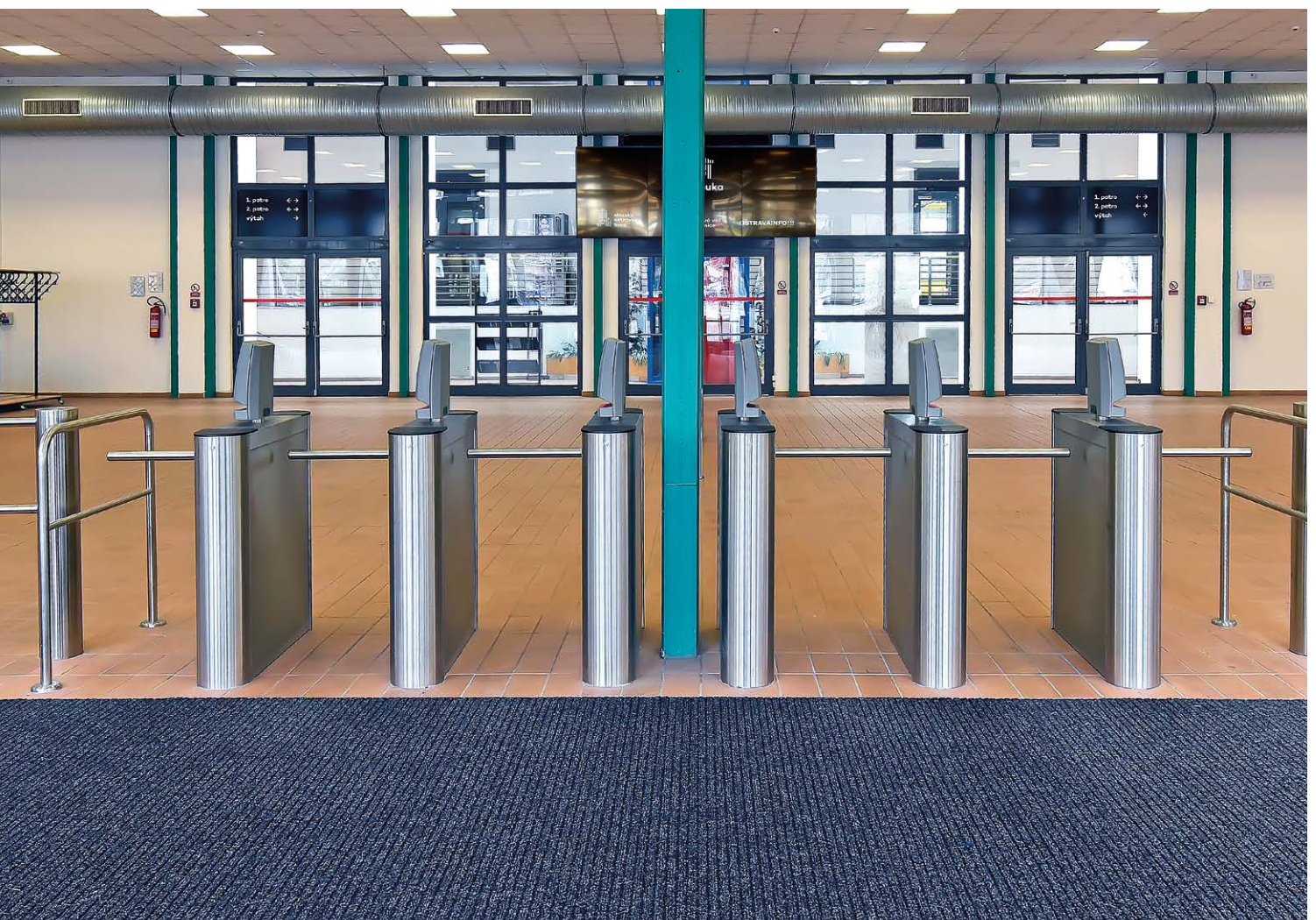
## **C O N T E N T S**

---

5	BAR ONE Unipod	13	BAR ST-DUO
6	BAR ONE Tripod	14	BAR SKR
7	BAR ONE Gate	15	BAR SKR-DropArm
8	BAR BA	16	BAR GX
9	BAR EC	18	Specification Overview
10	BAR EK	20	Options & Accessories
11	BAR EK-Wall		
12	BAR ST		



**B A R O N E**







## BAR ONE Unipod

### Standard Equipment

Emergency Drop Arm  
 Integrated disc spring brake  
 Go Call - visual entry invitation feature  
 Unobstructed passage including automatic reset

### Drive Mechanism

Magnetic Direct Drive

### Operating Environment

Indoor  
 Outdoor\*  
 -25°C to +60°C / -13°F to 140°F \*

### Safety & Security detection

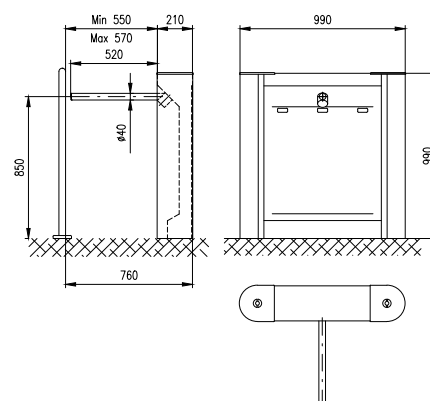
Climb over/crawl under\*  
 Permanently blocked mode  
 Emergency mode

### Optional Accessories

RFID reader bracket (top / flush mounted)  
 Access Light / Lane Light  
 WAV player  
 USB convertor / Ethernet convertor  
 EasyTouch / TouchPanel / T-MON sw  
 SuperCap (emergency power back-up)  
 Alternative surface finishes  
 Optional top finishes  
 Ramp LT  
 Arm protector



<b>Cabinet height</b>	990 mm / 39.0"
<b>Cabinet length</b>	990 mm / 39.0"
<b>Cabinet width</b>	210 mm / 8.3"
<b>Passage width</b>	max 570 mm / max 22.5"
<b>Cabinet</b>	Brushed stainless steel
<b>Top Lid</b>	Brushed stainless steel with plastic ends
<b>Barrier</b>	Single arm / Brushed stainless steel



\* Optional accessories



## BAR ONE Tripod

### Standard Equipment

Integrated disc spring brake  
Go Call - visual entry invitation feature  
Unobstructed passage including automatic reset

### Drive Mechanism

Magnetic Direct Drive

### Operating Environment

Indoor  
Outdoor\*  
-25°C to +60°C / -13°F to 140°F \*

### Safety & Security detection

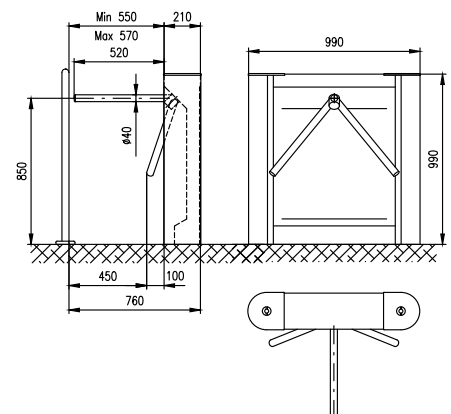
Climb over / crawl under\*  
Permanently blocked mode  
Emergency mode  
Emergency Drop Arm\*

### Optional Accessories

RFID reader bracket (top / flush mounted)  
Access Light / Lane Light  
WAV player  
USB convertor / Ethernet convertor  
EasyTouch / TouchPanel / T-MON sw  
Alternative surface finishes  
Optional top finishes  
Ramp LT  
Arm protector



<b>Cabinet height</b>	990 mm / 39.0"
<b>Cabinet length</b>	990 mm / 39.0"
<b>Cabinet width</b>	210 mm / 8.3"
<b>Passage width</b>	max 570 mm / max 22.5"
<b>Cabinet</b>	Brushed stainless steel
<b>Top Lid</b>	Brushed stainless steel with plastic ends
<b>Barrier</b>	Tripod arms / Brushed stainless steel



\* Optional accessories



## BAR ONE Gate

### Standard Equipment

Emergency Drop Arm  
 Integrated disc spring brake  
 Go Call - visual entry invitation feature  
 Unobstructed passage including automatic reset

### Drive Mechanism

Magnetic Direct Drive

### Operating Environment

Indoor  
 Outdoor\*  
 -25°C to +60°C / -13°F to 140°F \*

### Safety & Security detection

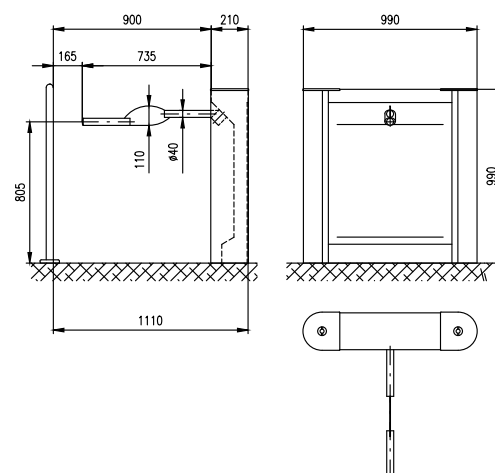
Climb over / crawl under\*  
 Permanently blocked mode  
 Emergency mode

### Optional Accessories

RFID reader bracket (top / flush mounted)  
 Access Light / Lane Light  
 WAV player  
 USB convertor / Ethernet convertor  
 EasyTouch / TouchPanel / T-MON sw  
 SuperCap (emergency power back-up)  
 Alternative surface finishes  
 Optional top finishes  
 Ramp LT



<b>Cabinet height</b>	990 mm / 39.0"
<b>Cabinet length</b>	990 mm / 39.0"
<b>Cabinet width</b>	210 mm / 8.3"
<b>Passage width</b>	900 mm / 35.4"
<b>Cabinet</b>	Brushed stainless steel
<b>Top Lid</b>	Brushed stainless steel with plastic ends
<b>Barrier</b>	Single arm / Brushed stainless steel



\* Optional accessories



# vitesco

## TECHNOLOGIES



## BAR BA

### Standard Equipment

Go Call - visual entry invitation feature  
Bi-directional passage

### Drive Mechanism

Fail-Safe

### Operating Environment

Indoor  
Outdoor\*  
-25°C to +60°C / -13F° to 140°F\*

### Safety & Security detection

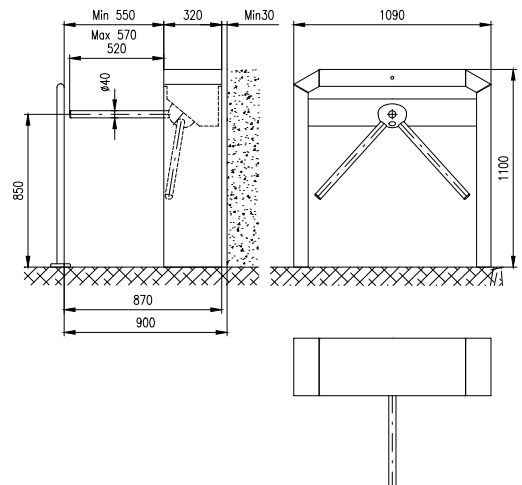
Climb over / crawl under\*  
Permanently blocked mode  
Emergency mode  
Emergency Drop Arm\*

### Optional Accessories

RFID reader bracket (top / flush mounted)  
Access Light / Lane Light  
WAV player  
USB convertor / Ethernet convertor  
EasyTouch / TouchPanel / T-MON sw  
Visitor card collector  
SuperCap (emergency power back-up)  
Ramp LT  
Arm protector



<b>Cabinet height</b>	1100 mm / 43.3"
<b>Cabinet length</b>	1090 mm / 42.9"
<b>Cabinet width</b>	320 mm / 12.6"
<b>Passage width</b>	max 570 mm / max 22.5"
<b>Cabinet</b>	Brushed stainless steel
<b>Top Lid</b>	Brushed stainless steel
<b>Barrier</b>	Tripod arms / Brushed stainless steel



\* Optional accessories





## BAR EC

### Standard Equipment

Go Call - visual entry invitation feature  
Bi-directional passage

### Drive Mechanism

Fail-Safe

### Operating Environment

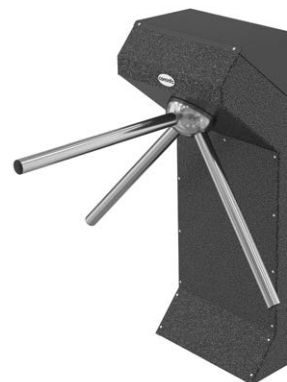
Indoor  
Outdoor covered\*<sup>[1]</sup>  
-25°C to +60°C / -13°F to 140°F\*

### Safety & Security detection

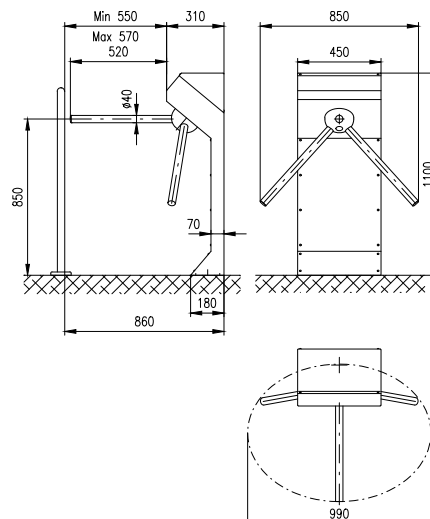
Climb over / crawl under\*  
Permanently blocked mode  
Emergency mode  
Emergency Drop Arm\*

### Optional Accessories

RFID reader bracket (top / flush mounted)  
Lane Light  
WAV player  
USB convertor / Ethernet convertor  
EasyTouch / TouchPanel / T-MON sw  
SuperCap (emergency power back-up)  
Alternative surface finishes  
Ramp LT  
Arm protector



<b>Cabinet height</b>	1100 mm / 43.3"
<b>Cabinet length</b>	450 mm / 17.7"
<b>Cabinet width</b>	310 mm / 12.2"
<b>Passage width</b>	max 570 mm / max 22.5"
<b>Cabinet</b>	Painted Polyester Powder Coated / Brushed stainless steel
<b>Top Lid</b>	Painted Polyester Powder Coated / Brushed stainless steel
<b>Barrier</b>	Tripod arms / Brushed stainless steel



\* Optional accessories. <sup>[1]</sup> The roof needs to overlap the turnstile sufficiently



## BAR EK

### Standard Equipment

Go Call - visual entry invitation feature  
Bi-directional passage

### Drive Mechanism

Fail-Safe

### Operating Environment

Indoor  
Outdoor covered\*<sup>[1]</sup>  
-25°C to +60°C / -13F° to 140°F\*

### Safety & Security detection

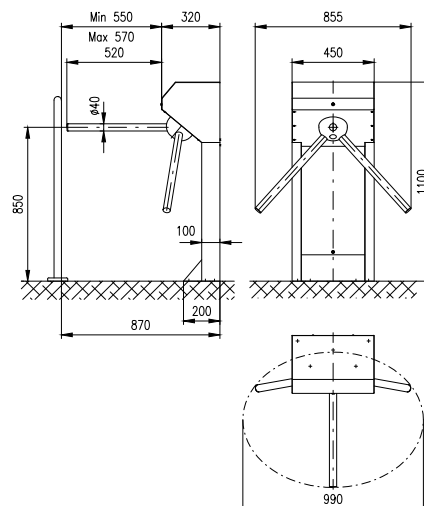
Climb over / crawl under\*  
Permanently blocked mode  
Emergency mode  
Emergency Drop Arm\*

### Optional Accessories

RFID reader bracket (top / flush mounted)  
Lane Light  
WAV player  
USB convertor / Ethernet convertor  
EasyTouch / TouchPanel / T-MON sw  
SuperCap (emergency power back-up)  
Ramp LT  
Arm protector



<b>Cabinet height</b>	1100 mm / 43.3"
<b>Cabinet length</b>	450 mm / 17.7"
<b>Cabinet width</b>	320 mm / 12.6"
<b>Passage width</b>	max 570 mm / max 22.5"
<b>Cabinet</b>	Brushed stainless steel
<b>Top Lid</b>	Brushed stainless steel
<b>Barrier</b>	Tripod arms / Brushed stainless steel



\* Optional accessories <sup>[1]</sup> The roof needs to overlap the turnstile sufficiently





## BAR EK-Wall

### Standard Equipment

Go Call - visual entry invitation feature  
Bi-directional passage

### Drive Mechanism

Fail-Safe

### Operating Environment

Indoor  
Outdoor covered\*<sup>[1]</sup>  
-25°C to +60°C / -13F° to 140°F\*

### Safety & Security detection

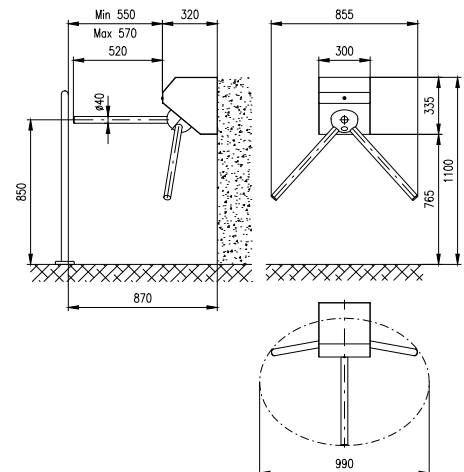
Climb over / crawl under\*  
Permanently blocked mode  
Emergency mode  
Emergency Drop Arm\*

### Optional Accessories

RFID reader bracket (top / flush mounted)  
Lane Light  
WAV player  
USB convertor / Ethernet convertor  
EasyTouch / TouchPanel / T-MON sw  
SuperCap (emergency power back-up)  
Arm protector



<b>Cabinet height</b>	335 mm / 13.2"
<b>Cabinet length</b>	300 mm / 11.8"
<b>Cabinet width</b>	320 mm / 12.6"
<b>Passage width</b>	max 570 mm / max 22.5"
<b>Cabinet</b>	Brushed stainless steel
<b>Top Lid</b>	Brushed stainless steel
<b>Barrier</b>	Tripod arms / Brushed stainless steel



\* Optional accessories <sup>[1]</sup> The roof needs to overlap the turnstile sufficiently



## BAR ST

### Standard Equipment

Go Call - visual entry invitation feature  
Bi-directional passage

### Drive Mechanism

Fail-Safe

### Operating Environment

Indoor  
Outdoor\*  
-25°C to +60°C / -13F° to 140°F\*

### Safety & Security detection

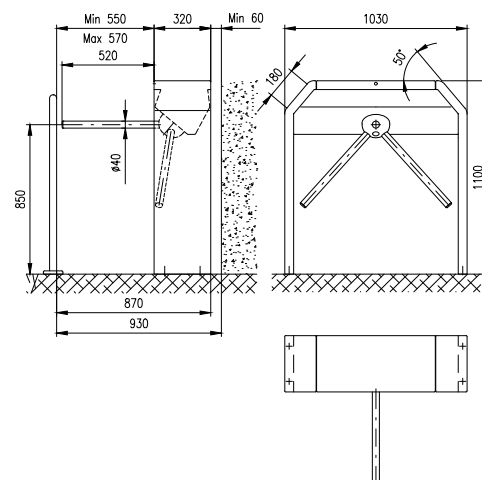
Climb over/crawl under\*  
Permanently blocked mode  
Emergency mode  
Emergency Drop Arm \*

### Optional Accessories

RFID reader bracket (top / flush mounted)  
Access Light / Lane Light  
WAV player  
USB convertor / Ethernet convertor  
EasyTouch / TouchPanel / T-MON sw  
Visitor card collector  
SuperCap (emergency power back-up)  
Alternative surface finishes  
Ramp LT  
Arm protector



<b>Cabinet height</b>	1100 mm / 43.3"
<b>Cabinet length</b>	1030 mm / 40.55"
<b>Cabinet width</b>	320 mm / 12.6"
<b>Passage width</b>	max 570 mm / max 22.5"
<b>Cabinet</b>	Painted Polyester Powder Coated / Brushed stainless steel
<b>Top Lid</b>	Painted Polyester Powder Coated / Brushed stainless steel
<b>Barrier</b>	Tripod arms / Brushed stainless steel



\* Optional accessories





## BAR ST-DUO

### Standard Equipment

Go Call - visual entry invitation feature  
Bi-directional passagee

### Drive Mechanism

Fail-Safe

### Operating Environment

Indoor  
Outdoor\*  
-25°C to +60°C / -13F° to 140°F\*

### Safety & Security detection

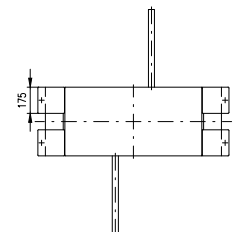
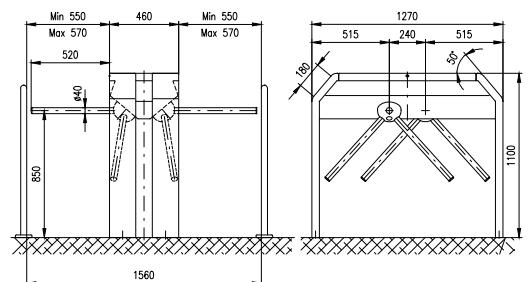
Climb over / crawl under \*  
Permanently blocked mode  
Emergency mode  
Emergency Drop Arm \*

### Optional Accessories

RFID reader bracket (top / flush mounted)  
Access Light / Lane Light  
WAV player  
USB convertor / Ethernet convertor  
EasyTouch / TouchPanel / T-MON sw  
Visitor card collector  
SuperCap (emergency power back-up)  
Alternative surface finishes  
Ramp LT  
Arm protector



<b>Cabinet height</b>	1100 mm / 43.3"
<b>Cabinet length</b>	1270 mm / 50.0"
<b>Cabinet width</b>	460 mm / 18.1"
<b>Passage width</b>	max 570 mm / max 22.5"
<b>Cabinet</b>	Painted Polyester Powder Coated / Brushed stainless steel
<b>Top Lid</b>	Painted Polyester Powder Coated / Brushed stainless steel
<b>Barrier</b>	Tripod arms / Brushed stainless steel



\* Optional accessories



## BAR SKR

### Standard Equipment

Go Call - visual entry invitation feature  
Bi-directional passage

### Drive Mechanism

Fail-Safe

### Operating Environment

Indoor  
Outdoor\*  
-25°C to +60°C / -13F° to 140°F\*

### Safety & Security detection

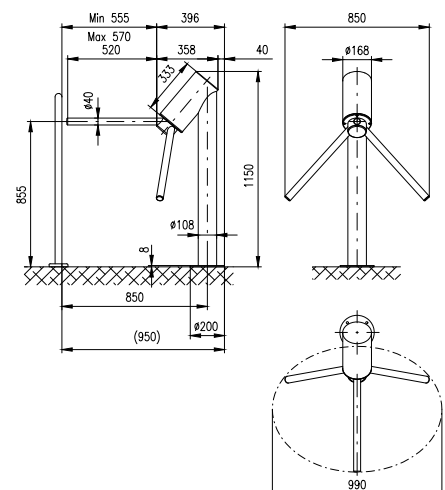
Permanently blocked mode  
Emergency mode

### Optional Accessories

RFID reader bracket (top mounted)  
WAV player  
USB convertor / Ethernet convertor  
EasyTouch / TouchPanel / T-MON sw  
SuperCap (emergency power back-up)  
Alternative surface finishes  
Ramp LT  
Arm protector



<b>Cabinet height</b>	1150 mm / 45.3"
<b>Cabinet length</b>	168 mm / 6.6"
<b>Cabinet width</b>	358 mm / 14.1"
<b>Passage width</b>	max 570 mm / max 22.5"
<b>Cabinet</b>	Brushed stainless steel
<b>Top Lid</b>	Brushed stainless steel
<b>Barrier</b>	Tripod arms / Brushed stainless steel



\* Optional accessories





## BAR SKR-DropArm

### Standard Equipment

Go Call - visual entry invitation feature  
Emergency Drop Arm  
Bi-directional passage

### Drive Mechanism

Fail-Safe

### Operating Environment

Indoor  
Outdoor\*  
-25°C to +60°C / -13°F to 140°F\*

### Safety & Security detection

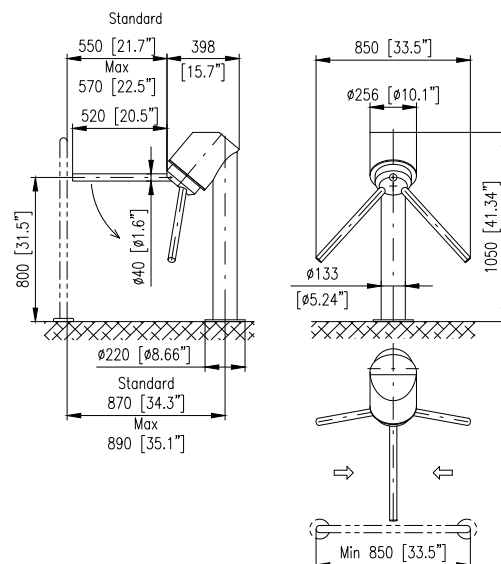
Permanently blocked mode  
Emergency mode

### Optional Accessories

RFID reader bracket (top / flush mounted)  
WAV player  
USB convertor / Ethernet convertor  
EasyTouch / TouchPanel / T-MON sw  
SuperCap (emergency power back-up)  
Alternative surface finishes  
Ramp LT  
Arm protector



<b>Cabinet height</b>	1050 mm / 41.3"
<b>Cabinet length</b>	256 mm / 10.1"
<b>Cabinet width</b>	398 mm / 15.7"
<b>Passage width</b>	max 570 mm / max 22.5"
<b>Cabinet</b>	Brushed stainless steel
<b>Top Lid</b>	Brushed stainless steel
<b>Barrier</b>	Tripod arms / Brushed stainless steel



\* Optional accessories



## BAR GX

### Standard Equipment

Go Call - visual entry invitation feature  
Bi-directional passage

### Drive Mechanism

Fail-Safe

### Operating Environment

Indoor

### Safety & Security detection

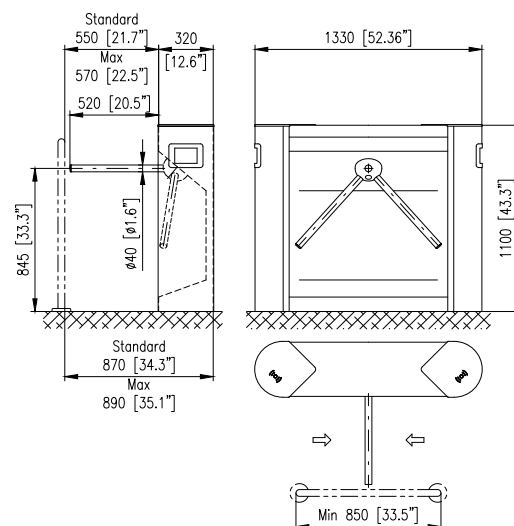
Climb over / crawl under\*  
Permanently blocked mode  
Emergency mode  
Emergency Drop Arm\*

### Optional Accessories

RFID reader bracket (top / flush mounted)  
Access Light / Lane Light  
Outdoor package  
WAV player  
USB convertor / Ethernet convertor  
EasyTouch / TouchPanel / T-MON sw  
Visitor card collector  
SuperCap (emergency power back-up)  
Optional top finishes  
Ramp LT  
Arm protector



<b>Cabinet height</b>	1100 mm / 43.3"
<b>Cabinet length</b>	1330 mm / 52.36"
<b>Cabinet width</b>	320 mm / 12.6"
<b>Passage width</b>	max 570 mm / max 22.5"
<b>Cabinet</b>	Brushed stainless steel
<b>Top Lid</b>	Brushed stainless steel with glass ends
<b>Barrier</b>	Tripod arms / Brushed stainless steel



\*Optional accessories





# Turnstile model BAR

BAR ONE Unipod



BAR ONE Tripod



BAR ONE Gate



BAR BA



## Dimensions

Cabinet height	990	990	990	1100
Cabinet length	990	990	990	1090
Cabinet width	210	210	210	320
Passage width (max)	570	570	900	570
Barrier type (T-Tripod, S-Single Arm)	S	T	S	T
DDA (ADA) compliant	-	-	•	-
Bi-directional passage mode	•	•	•	•

## Material and Colors

Stainless steel cabinet / Painted polyester powder coated	• / -	• / -	• / -	• / -
RAL painted cabinet	•	•	•	-
Stainless steel barrier	•	•	•	•

## Safety Features

Emergency mode / Emergency Drop Arm [1]	• / • [3]	• / •	• / • [3]	• / •
Crawl under [1] / Climb over detection [1]	• / •	• / •	• / •	• / •
Fail-Safe motor drive unit [2]	-	-	-	•
Advanced Magnetic Direct Drive motor	•	•	•	-

## Communication Interface

Relay Inputs / Outputs	• [1]	• [1]	• [1]	•
RS485 / USB / Ethernet	• / • / • [1]	• / • / • [1]	• / • / • [1]	• / • / •

## Operating Environment

Indoor / Outdoor with cover* / Outdoor uncovered*	• / • / •	• / • / •	• / • / •	• / • / •
---	-----------	-----------	-----------	-----------

## Optional Features

Integrated RFID reader bracket	•	•	•	•
Access Light	•	•	•	•
Lane Light	•	•	•	•

## Optional Remote Control Systems

External implementation of Identification or Ticket terminals	•	•	•	•
Remote control console (EasyTouch, TouchPanel)	•	•	•	•
TMON SW application (remote control from any PC) / Passage Scheduler (automatic planner)	• / •	• / •	• / •	• / •
Integrated visitor card collector	-	-	-	•

## Optional Power Supply Input

13.8V DC / 230V AC or 110VAC	- / •	- / •	- / •	- / •
SuperCap (emergency power back-up)	•	•	•	•

## Optional Finishes

Tops - Natural Stone, Corian, Glass, Wood etc.	•	•	•	-
Alternative surface finishes - Black Stainless Steel, Brass, Bronze, Copper etc.	•	•	•	-

## Optional mounting accessories

Ramp LT - Structural Mounting Bases (surface mounting system - with no drilling or floor cutting)	•	•	•	•
Mounting console - raised floor or recessed below grade mounting system	•	•	•	•

[1] Optional  
• = Available

[2] Free-to-Move unpowered  
- = Not available

[3] Emergency Drop Arm as standard  
\* = With optional Outdoor package



BAR EC

BAR EK

BAR EK-Wall

BAR ST

BAR ST-DUO

BAR SKR

BAR SKR-DropArm

BAR GX



1100	1100	335	1100	1100	1150	1150	1100
450	450	300	1030	1270	168	256	1330
310	320	320	320	460	358	398	320
570	570	570	570	570	570	570	570
T	T	T	T	T	T	T	T
-	-	-	-	-	-	-	-
•	•	•	•	•	•	•	•
•/•	•/-	•/-	•/•	•/•	•/-	•/-	•/-
•	-	-	•	•	-	-	-
•	•	•	•	•	•	•	•
•/•	•/•	•/•	•/•	•/•	•/-	•/• [3]	•/•
•/•	•/•	•/•	•/•	•/•	-/-	-/-	•/•
•	•	•	•	•	•	•	•
-	-	-	-	-	-	-	-
•	•	•	•	•	•	•	•
•/•/•	•/•/•	•/•/•	•/•/•	•/•/•	•/•/•	•/•/•	•/•/•
•/•/-	•/•/-	•/•/-	•/•/•	•/•/•	•/•/•	•/•/•	•/-/-
•	•	•	•	•	-	•	•
-	-	-	•	•	-	-	•
•	•	•	•	•	-	-	•
•	•	•	•	•	•	•	•
•	•	•	•	•	•	•	•
•/•	•/•	•/•	•/•	•/•	•/•	•/•	•/•
-	-	-	•	•	-	-	•
•/•	•/•	•/•	•/•	•/•	•/-	•/-	•/•
•	•	•	•	•	•	•	•
-	-	-	-	-	-	-	•
-	-	-	-	-	-	-	-
•	•	-	•	•	•	•	•
•	•	•	•	•	•	•	•

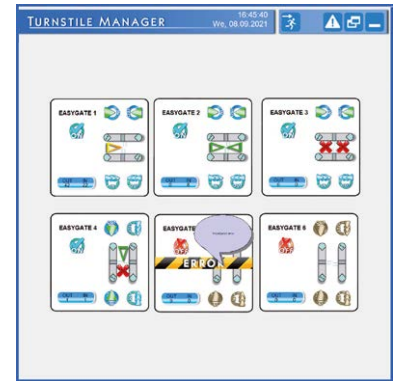
# Options & Accessories



**EASYTOUCH** - turnstile remote control console with an intuitive graphical user interface



**TOUCHPANEL** - Touch-button panel for remote control of turnstiles and gates



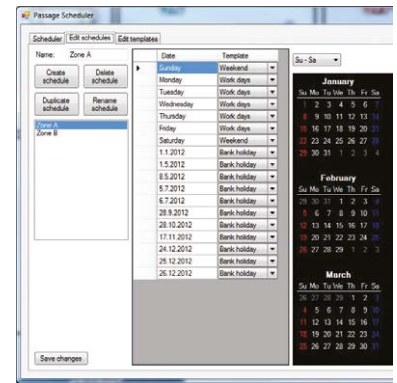
**TMON SOFTWARE** - software application for easy remote control of the turnstiles and gates



**ACCESS LIGHT** - access control light with integrated RFID bracket



**LANE LIGHT** - front mounted lane accessibility light panel



**PASSAGE SCHEDULER** - software planner for automatic time programming of turnstile operation mode



**EMERGENCY DROP ARM** - automatically drops the horizontal arm in emergency mode



**ANTICLIMB SENSORS** - infrared sensors to detect climbing over/crawling under the tripod (unipod) arms



**ARM PROTECTOR** - protector of tripod/unipod bar made of black toughened rubber material



**WAV PLAYER** - sound signaling device for audio confirmation of turnstile operation mode



**OUTDOOR PACKAGE** - special package for outdoor application (heating module + IP protection)



**SUPERCAP** - maintenance-free power package for Emergency opening of turnstile/gate





**EXI-BADGE** - visitor card / badge collector with return function implemented in stainless steel pole



**EXI2** - integrated visitor card collector with collection box



**TICKETING TERMINAL** - external implementation of identification terminals



**RAMPA LT** - for installation on floor where drilling/cutting is not allowed



**MOUNTING CONSOLE** - mounting console for raised/suspended floor



**ALTERNATIVE SURFACE FINISH** - polished stainless steel / brushed stainless steel / etc.



**ADDITIONAL GATE PEGAS GLE**  
- alternative motorized swing gate for wheelchair access



**GLASS INFILL BARRIER** - convenient way to aesthetically enclose the secure areas from public area











ed. VI-2022

Specifications are subject to change without prior notice.



**COMINFO, a.s.**

Nabrezi 695, 760 01 Zlin - Prstne, Czech Republic

T +420 603 151 333

cominfo@cominfo.cz

[www.cominfo.eu](http://www.cominfo.eu)

**cominfo**  
security first